

FEATURES:

- Receives wireless data from up to sixteen ST-48RF Monitors
- Provides four, 5 amp SPDT common alarm relays for **A1, A2, A3 & FAIL** ST-48RF alarms
- *Event Log* displays alarm history of each ST-48RF communicating on the wireless network
- "Repeater Mode" allows retransmission of ST-48RF signals that may be "Out of Range" of the destination controller due to distance or obstructions
- 900MHZ and 2.4GHZ FHSS (Frequency Hopping Spread Spectrum) models available
- Configurable as the wireless network's "Client" or "Server"
- Magnetic keypad for nonintrusive operation in potentially hazardous locations
- Suitable for Division 1 Gr. B, C, D hazardous areas when supplied with Division 1 antenna (shown). Suitable for Division 2 Gr. A, B, C, D when supplied with 10-0295 antenna bushing.



Shown with 1000-2193 explosion-proof dipole antenna and 10-0284 red strobe light options

DESCRIPTION:

The R.C. Systems ST-95 "Wireless Relay/Repeater" receives monitored values from up to sixteen of our ST-48RF wireless FHSS sensor transmitters. Applications include providing alarm relays for annunciation purposes and/or retransmission (REPEATER MODE) of ST-48RF wireless signals that are "Out of Range" of their destination controller. ST-95 LCD readouts also display alarm events and real time ST-48RF readings in percent of full scale.

ST-95's have four 5 amp form C common relays which mimic **A1, A2, A3 & FAIL** alarms tripped by the ST-48RF monitors. ST-95's may be used to activate light/horn signal devices in systems combined with multi-channel ST-71, ST-72 and ST-90 controllers. However, ST-95's are also a cost effective total solution for small systems with simpler alarm & readout requirements. ST-95's may be configured as the wireless network's "Server" and no additional controller is required to communicate to the ST-48RF "Clients".

The ST-95's "Repeater" mode may be configured for channel by channel retransmission of ST-48RF signals. This is useful if any ST-48RF transmissions have difficulty reaching their ST-71, ST-72 or ST-90/QUAD Controllers due to distance or obstructions. ST-95/R900 900MHZ model's RF transmit power is adjustable between 10mW and 1 watt. ST-95/R2400 2.4GHZ models have RF power fixed at 125mW.

ST-95's require an external 10-30VDC power source and are ideally suited for 12 volt solar power.

SPECIFICATIONS

ST-95 RELAYS:

Relays are Form C 5AMP @ 30VDC & 240VAC RESISTIVE

PERFORMANCE

2.4 GHz Frequency Range = 2400 - 2483.5 MHz with 42 hops
 2.4 GHz Conducted Transmit Power is 125mW / 21dBm
 2.4 GHz Indoor/Urban Range = up to 1500 feet with 7dBi collinear antenna
 2.4 GHz Outdoor RF LOS Range = up to 2 miles with high-gain antenna
 2.4 GHz Receiver Sensitivity = -98 dBm

900 MHz Frequency Range = 902 - 928 MHz with 50 hops
 900 MHz Conducted Transmit Power (selectable) = 10mW-1W / 0-30 dBm
 900 MHz Indoor/Urban Range = up to 3000 feet with 2dBi dipole antenna
 900 MHz Outdoor RF LOS Range = up to 5 miles with high-gain antenna
 900 MHz Receiver Sensitivity = -100 dBm

DISPLAY

64 x 128 pixel LCD

AMBIENT TEMPERATURE RANGE

-40 - 60 degrees C

POWER SUPPLY

10 - 30 VDC at less than 2 watts

HOUSING & AREA CLASSIFICATIONS

NEMA 4X / NEMA 7 instrument enclosure is suitable for Class 1, Division 1, Gr. A,B,C,D

Area Classification should be Division 2 or nonhazardous when ST-95 housing is equipped with 10-0295 Antenna Fittings

Division 1 Area Classifications require "Explosion-Proof" 1000-2301 or 1000-2193 Antenna options (add "XP" suffix when ordering)

ORDERING INFORMATION

ST-95 MODELS

ST-95/2400 Suitable for Div 2; Includes 1000-2300 Antenna

ST-95/900 Suitable for Div 2; Includes 1000-2189 Antenna

ST-95/2400/XP Suitable for Div 1; Includes 1000-2301 Antenna

ST-95M/900/XP Suitable for Div 1; Includes 1000-2193 Antenna

ST-95 SPARE PARTS & ACCESSORIES

10-0295 3/4" NPT to RP-SMA Antenna Fitting

1000-2300 2.4 GHz Collinear Rubber Antenna

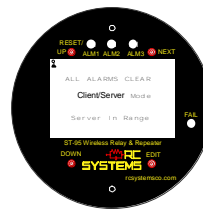
1000-2189 900 MHz Dipole Rubber Antenna

1000-2301 2.4 GHz Dipole Explosion-Proof Antenna

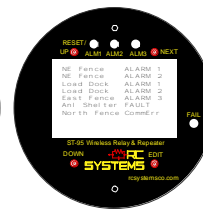
1000-2193 900 MHz Dipole Explosion-Proof Antenna

ST-95 DATA DISPLAYS

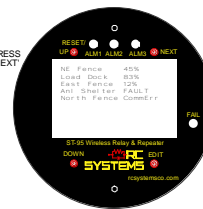
Readout - no alarms



Readout - with alarms

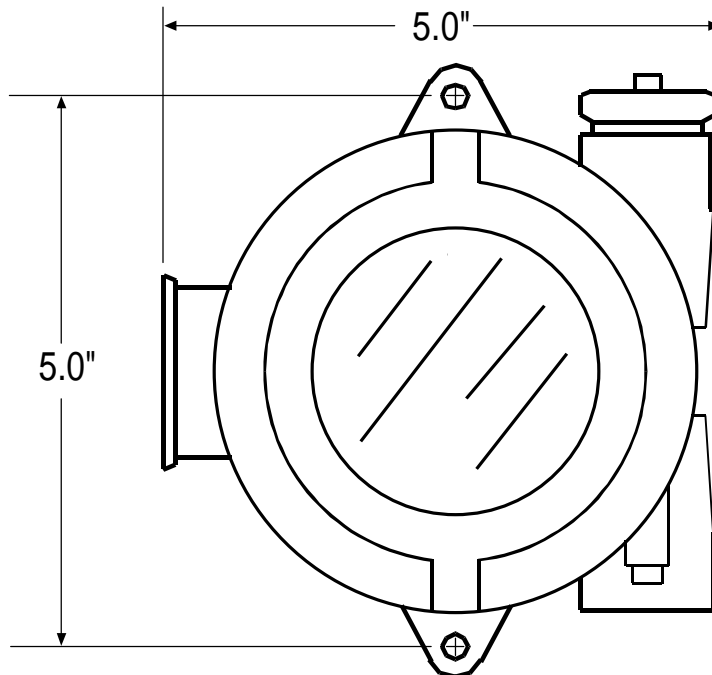


% Full Scale Readout



Pressing 'EDIT' from any Readout enters SYSTEM SETUP menus

"% Full Scale Readout" does not display E-unit ranges. All ranges are displayed as 0-100%.



3/4" NPFT HUBS
 (3 places)
 Shown with 10-0295
 antenna fitting

.3" Mtg. holes
 (2 places)

ALL DIMENSIONS IN INCHES